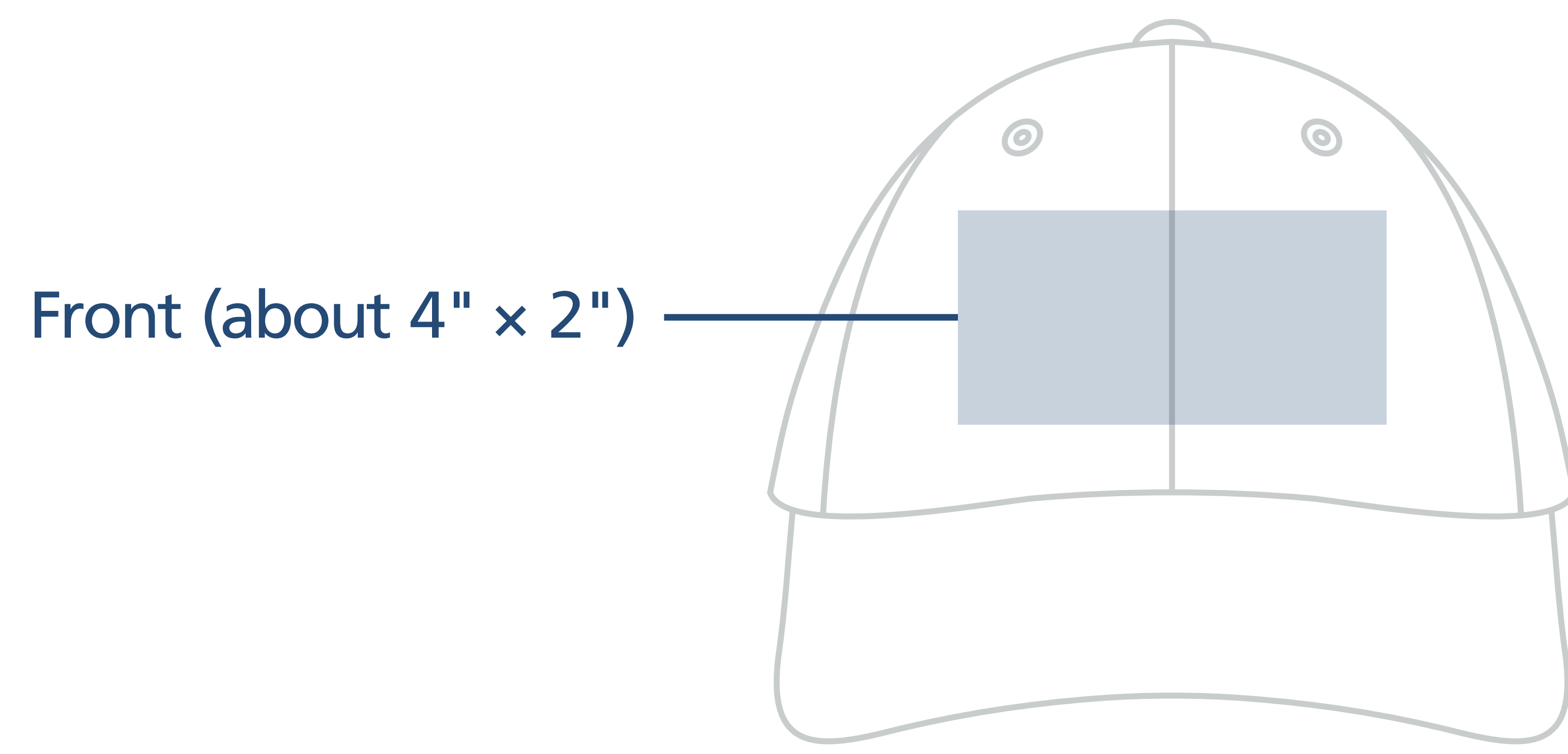


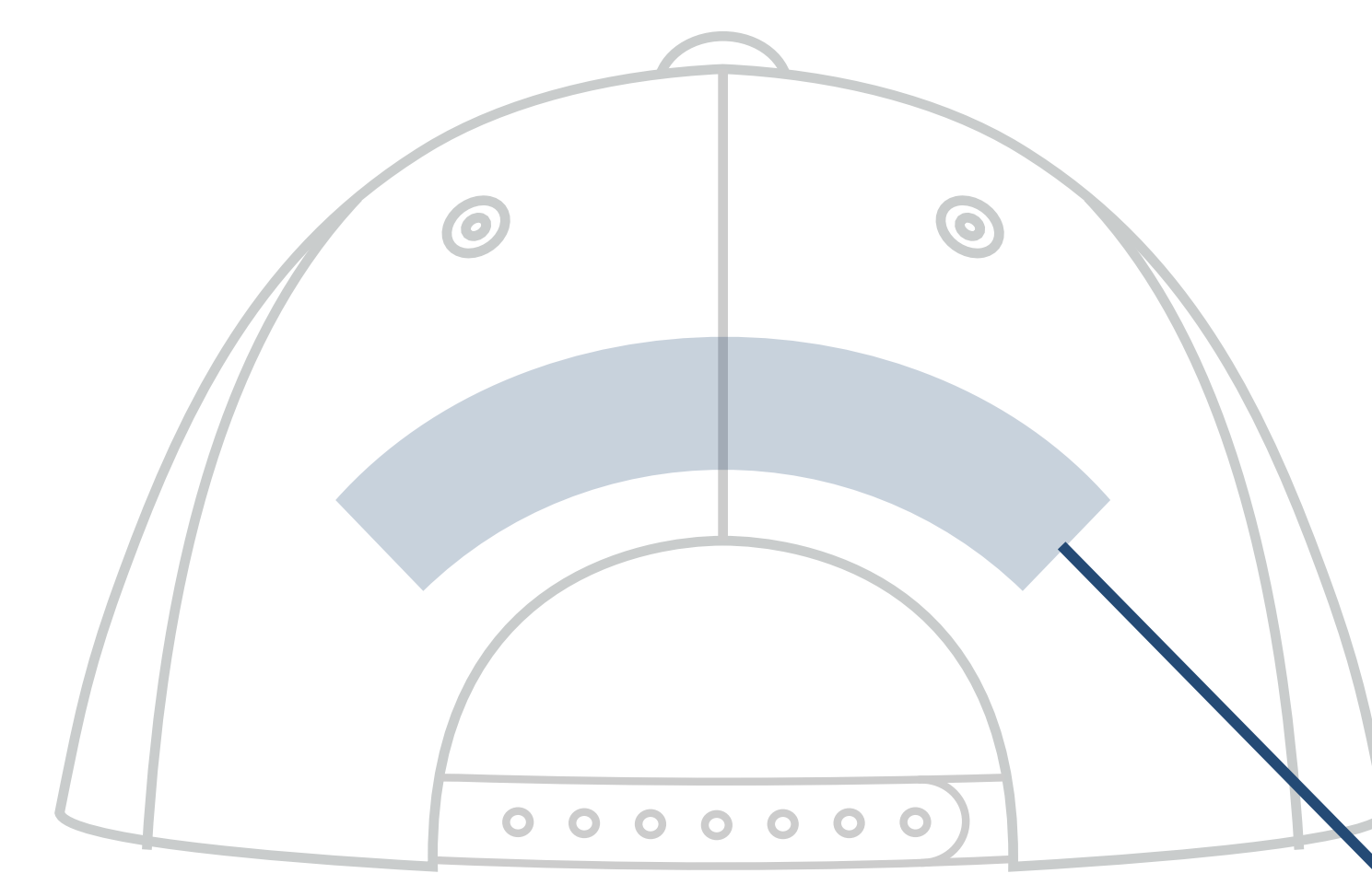


www.printedshirts.ca

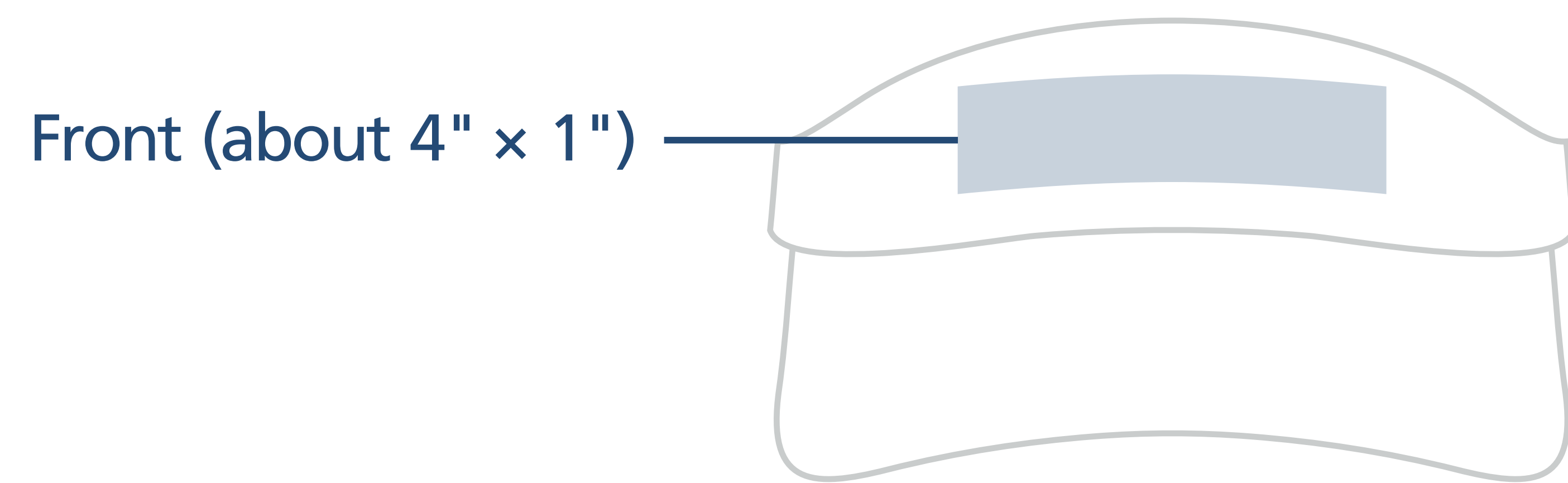
Suggested Embroidery Positions and Sizes for Caps, Visors and Toques



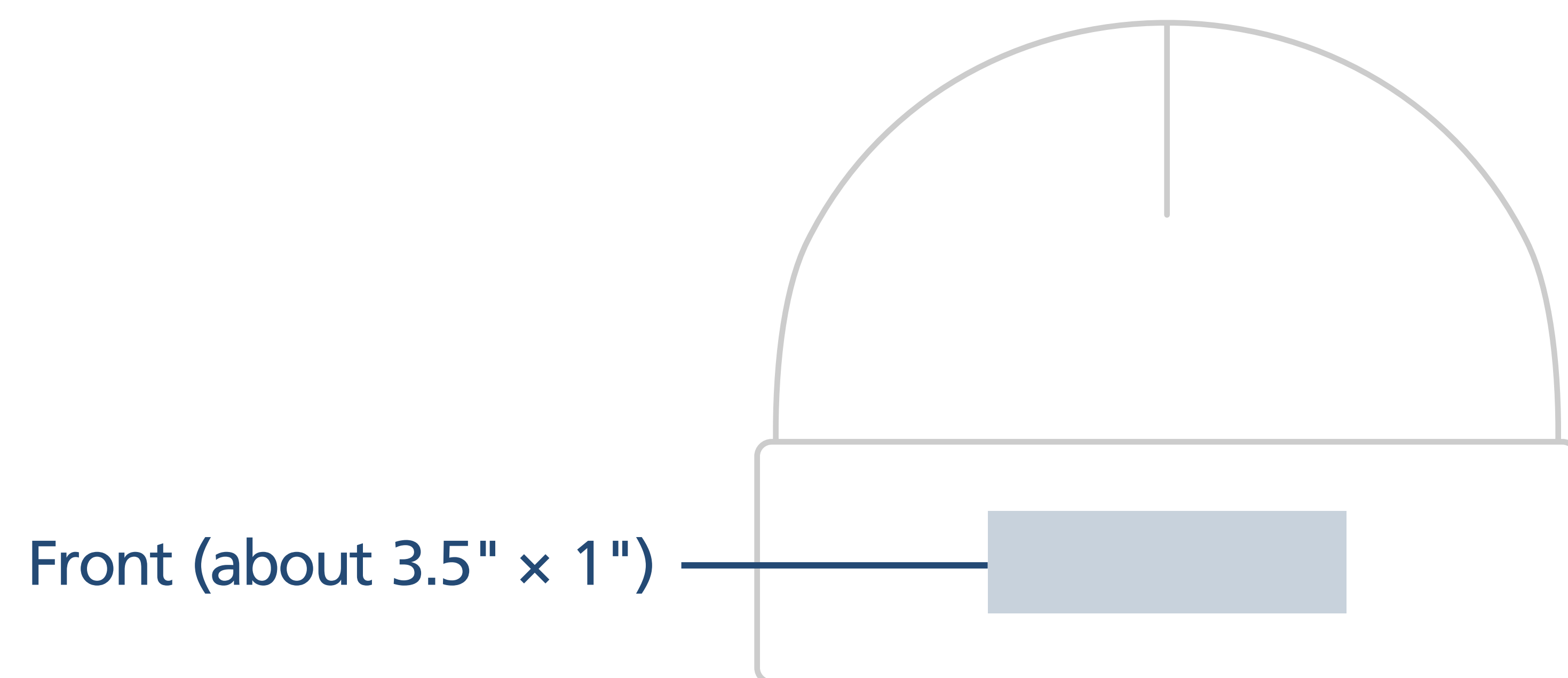
Front of Cap



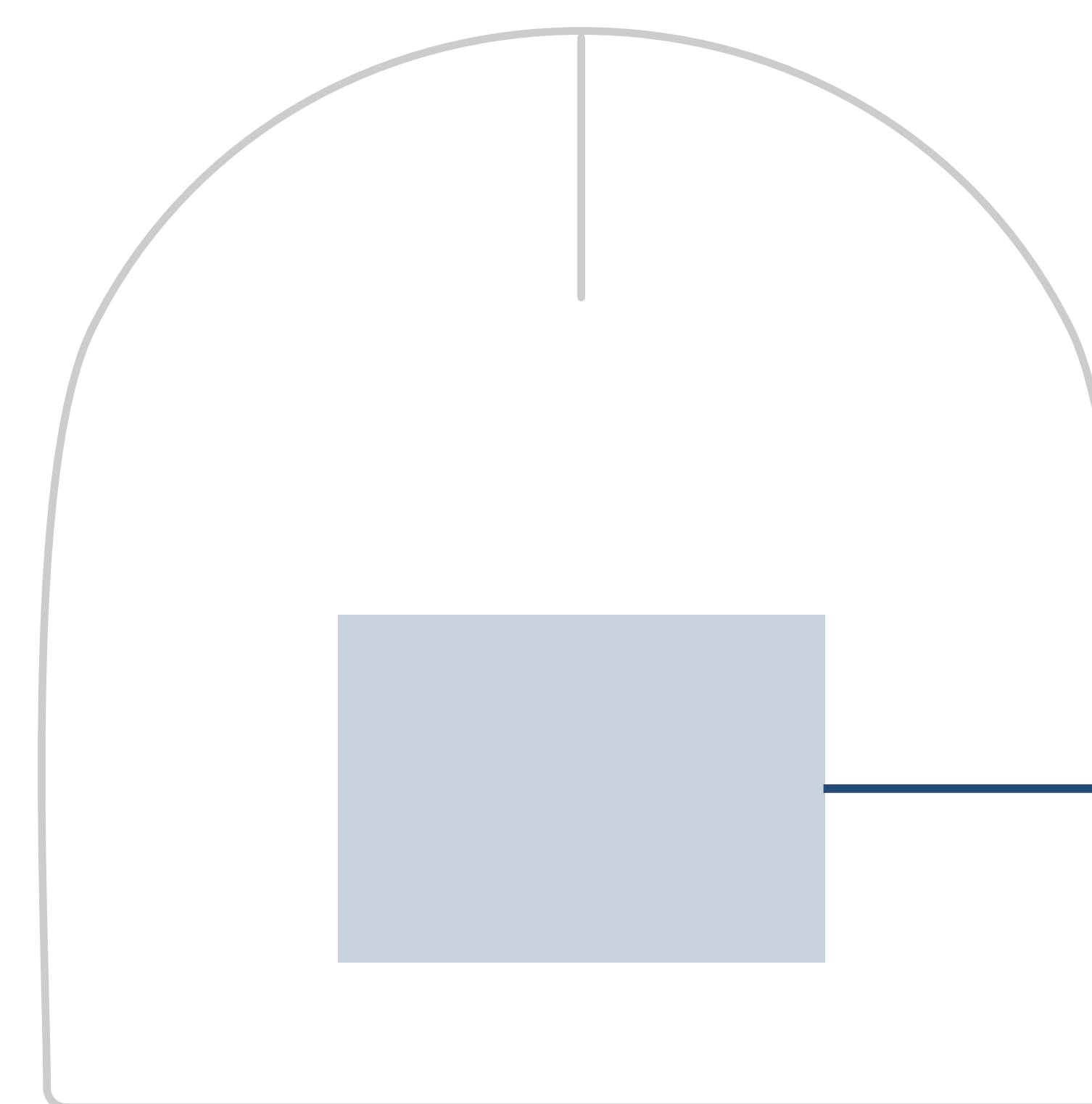
Back of Cap



Front of Visor



Toque (with cuff)



Boarder Toque (no cuff)